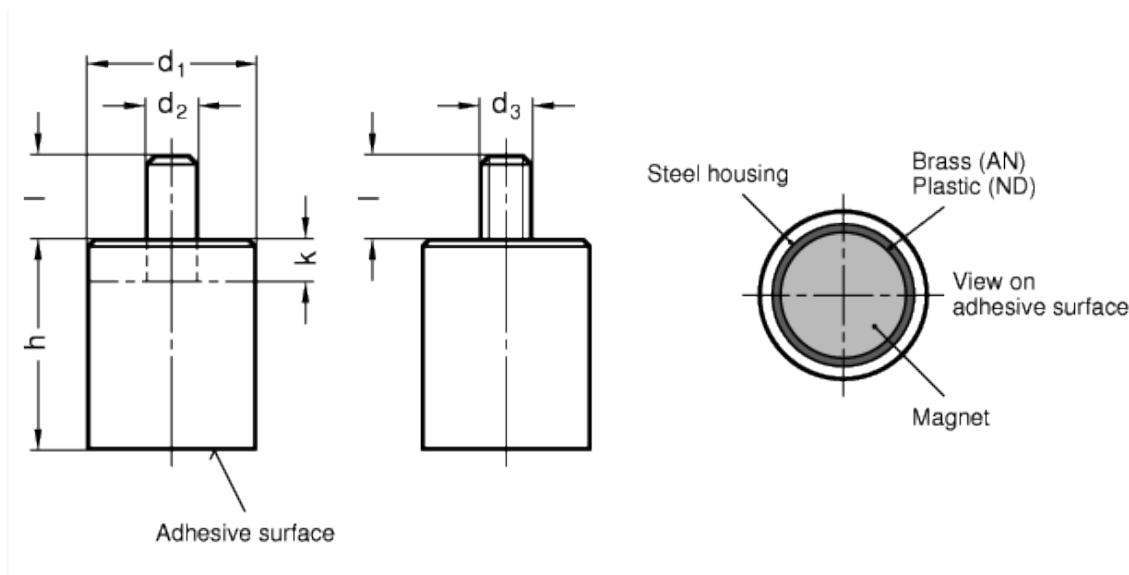


GN 52.4

Retaining magnets



technical informations

Specification

Rod-shaped, with stud
Housing, steel, zinc plated

Type D with smooth stud
Type E with threaded stud

Materials of the magnet

- Aluminium, nickel, cobalt AlNiCo AN, temperature resistant up to 450°C
- Neodymium, iron, boron NdFeB ND, temperature resistant up to 80°C

Features and applications

Retaining magnets GN 52.4 are a shielded magnetic system.

The design version with smooth stud is designed for attachment with rivets.

Standard Elements	Main dimensions					Nominal adhesive forces	Weight
Description	d ₁	d ₂ +0.2/-0.2	d ₃	h +0.2/-0.2	Length l	in N	g
GN 52.4-AN-6-3-D	6	3	-	20	8	2	5
GN 52.4-AN-8-3-D	8	3	-	20	8	4	8
GN 52.4-AN-10-4-D	10	4	-	20	8	8.5	13
GN 52.4-AN-13-4-D	13	4	-	20	8	12	21
GN 52.4-AN-16-5-D	16	5	-	20	8	20	32
GN 52.4-AN-20-6-D	20	6	-	25	8	40	59
GN 52.4-AN-25-8-D	25	8	-	35	10	60	128
GN 52.4-AN-32-10-D	32	10	-	40	10	160	220
GN 52.4-AN-40-15-D	40	15	-	50	20	240	468
GN 52.4-AN-50-18-D	50	18	-	60	25	400	872
GN 52.4-AN-63-20-D	63	20	-	65	30	660	1371
GN 52.4-AN-6-M3-E	6	-	M 3	20	7	2	5
GN 52.4-AN-8-M3-E	8	-	M 3	20	7	4	8
GN 52.4-AN-10-M4-E	10	-	M 4	20	8	8.5	13
GN 52.4-AN-13-M4-E	13	-	M 4	20	8	12	21
GN 52.4-AN-16-M4-E	16	-	M 4	20	10	20	31
GN 52.4-AN-20-M6-E	20	-	M 6	25	12	40	60
GN 52.4-AN-25-M6-E	25	-	M 6	35	10	60	125
GN 52.4-AN-32-M8-E	32	-	M 8	40	15	160	217
GN 52.4-AN-40-M8-E	40	-	M 8	50	15	240	458
GN 52.4-AN-50-M10-E	50	-	M 10	60	15	400	855
GN 52.4-AN-63-M12-E	63	-	M 12	65	20	660	1345
GN 52.4-ND-6-3-D	6	3	-	20	8	6	5
GN 52.4-ND-8-3-D	8	3	-	20	8	12	9
GN 52.4-ND-10-4-D	10	4	-	20	8	24	13
GN 52.4-ND-13-4-D	13	4	-	20	8	60	21
GN 52.4-ND-16-5-D	16	5	-	20	8	90	31
GN 52.4-ND-20-6-D	20	6	-	25	8	135	62
GN 52.4-ND-25-8-D	25	8	-	35	10	190	133
GN 52.4-ND-32-10-D	32	10	-	40	10	340	252
GN 52.4-ND-40-15-D	40	15	-	50	20	600	513
GN 52.4-ND-50-18-D	50	18	-	60	25	900	964
GN 52.4-ND-63-20-D	63	20	-	65	30	1300	1654
GN 52.4-ND-6-M3-E	6	-	M 3	20	7	6	5
GN 52.4-ND-8-M3-E	8	-	M 3	20	7	12	9
GN 52.4-ND-10-M4-E	10	-	M 4	20	8	24	14
GN 52.4-ND-13-M4-E	13	-	M 4	20	8	60	23
GN 52.4-ND-16-M4-E	16	-	M 4	20	10	90	33
GN 52.4-ND-20-M6-E	20	-	M 6	25	12	135	62
GN 52.4-ND-25-M6-E	25	-	M 6	35	10	190	127
GN 52.4-ND-32-M8-E	32	-	M 8	40	12	340	220

GN 52.4-ND-40-M8-E	40	-	M 8	50	15	600	461
GN 52.4-ND-50-M10-E	50	-	M 10	60	15	900	860
GN 52.4-ND-63-M12-E	63	-	M 12	65	20	1300	1350

* This sizes and types are as a rule not available from stock and subject to a minimum quantity order.



STANDARD MACHINE ELEMENTS WORLDWIDE